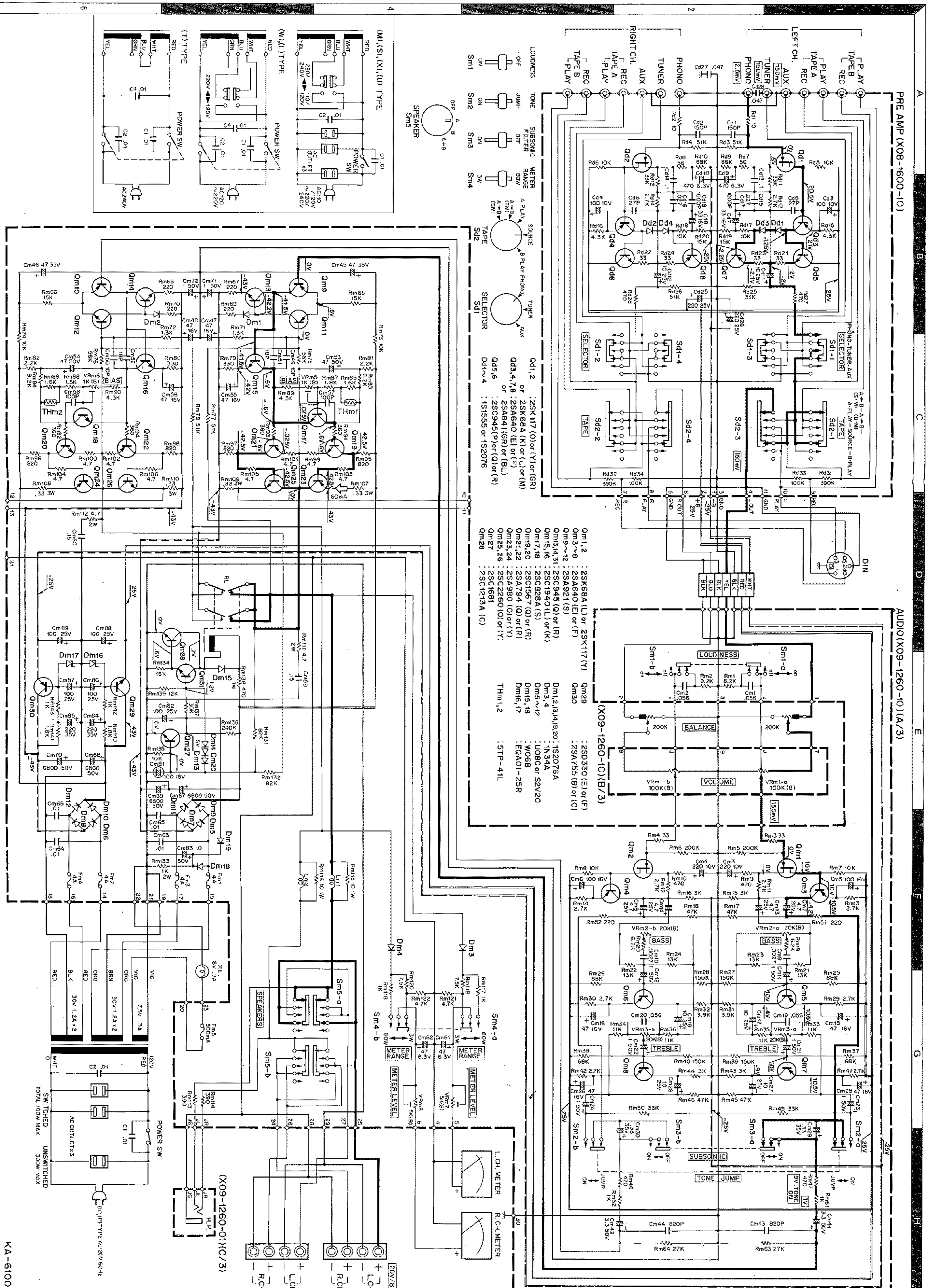
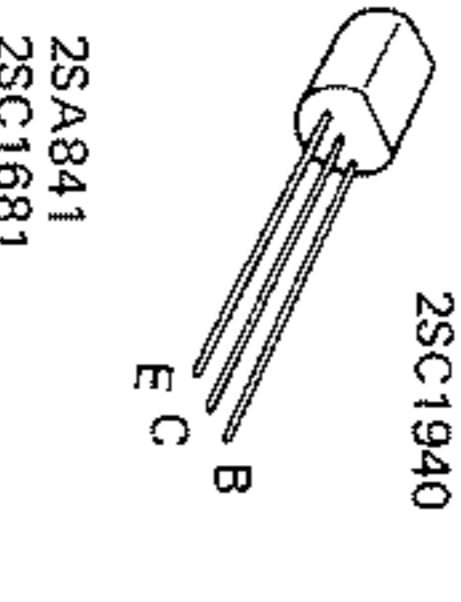
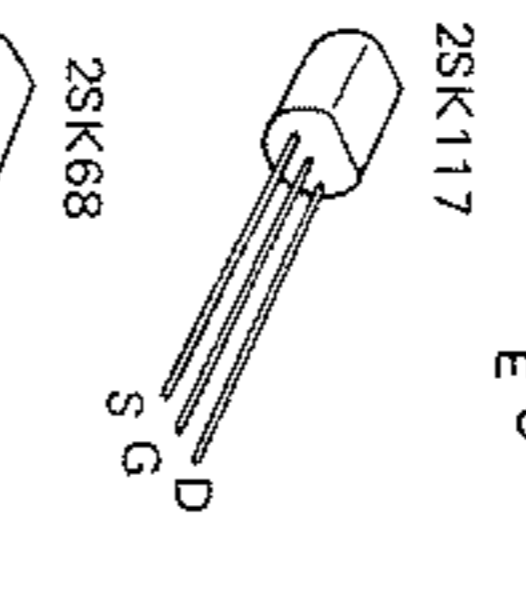
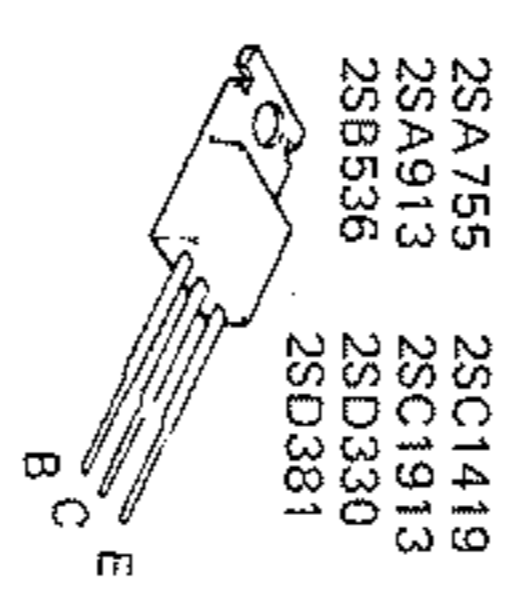
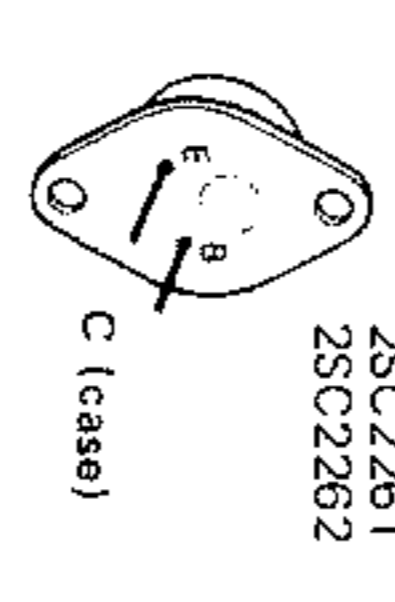
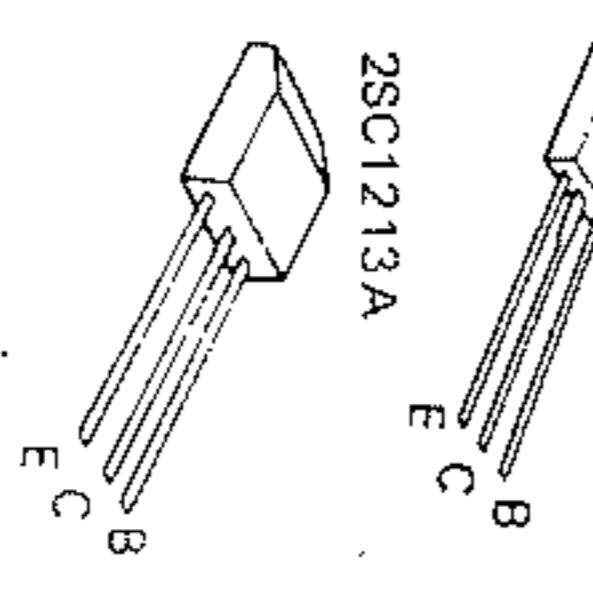


Note: The schematic diagram is applied to Serial No. 710001 ~ When repairing the product printed before Serial No. 710001, refer to page 12.



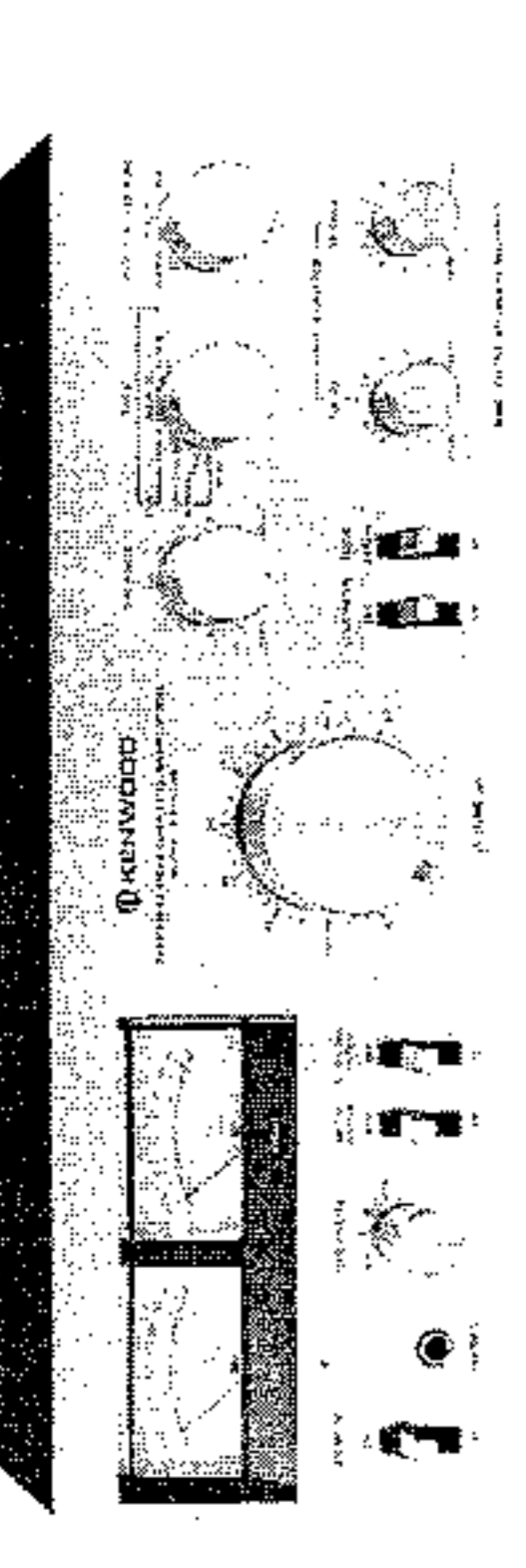
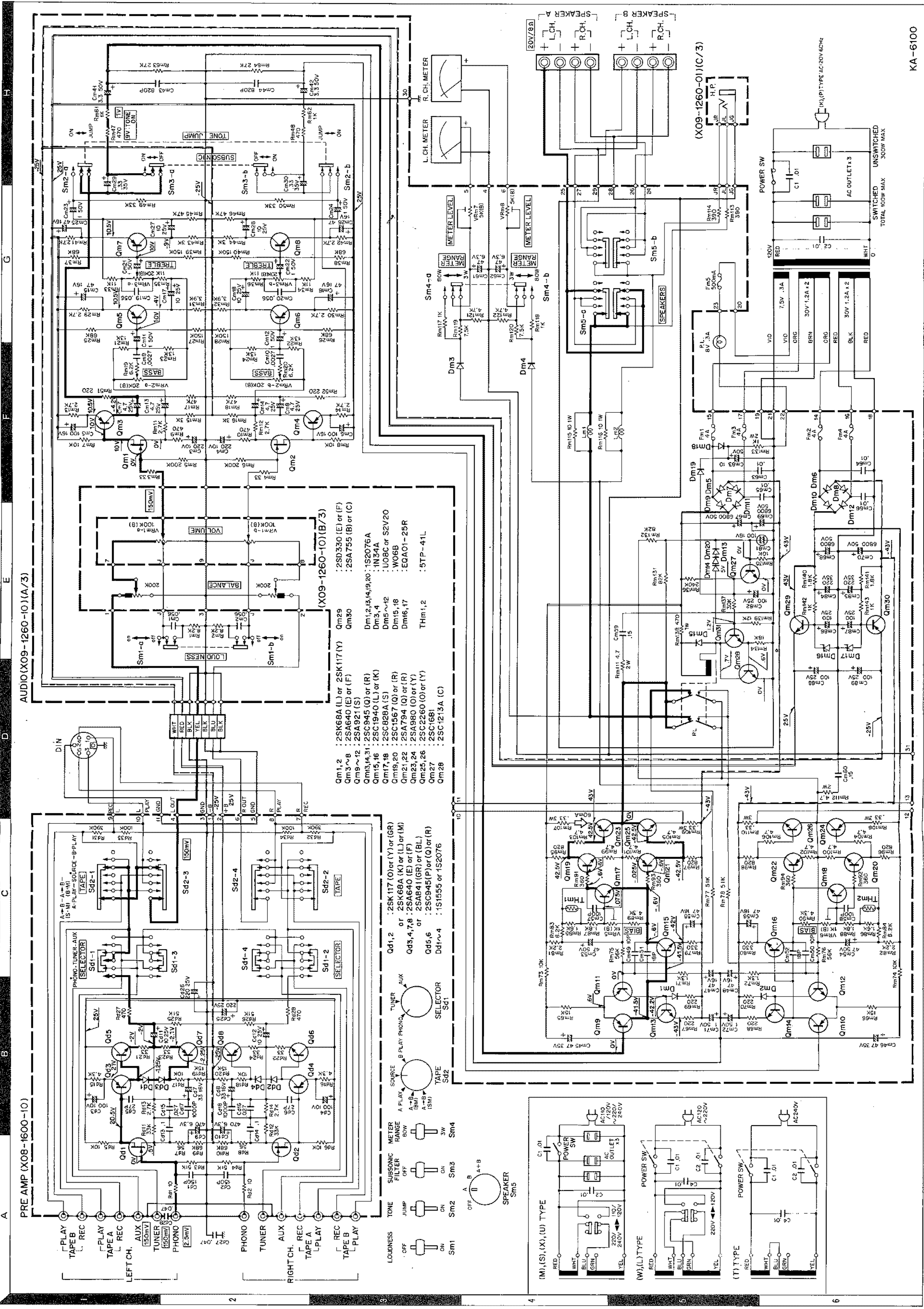
Semiconductor	Substitution
PRE AMP (X08-1600-10)	2SA841, 2SA750, 2SC1400, 2SC1222, 2SC1681, 2SK117(O), (Y), (GRI), 2SK68A(K), (L), (M)
POWER AMP (X09-1260-01)	2SA750, 2SA841, 2SA838, (O), (RI), 2SA720, (C), 2SA720, (S), 2SA745(O), (Y), 2SA747(O), (Y), 2SA747(E), 2SA790(F), 2SC949(R), 2SC1222, 2SC148(S), 2SC1689(S), 2SC1940(L), (K), 2SC1940(O), (Y), 2SC2260, 2SC2261, 2SC1116(O), (Y), 2SC1418, 2SC381, 2SK68A(L), 2SK117(Y)



Note: In the case of using the substitutive semiconductor, you should confirm the lead of one.

DC voltage measured with 20 kΩ/V VOM under no signal condition.

Note: The schematic diagram is applied to Serial No. 710001 ~ . When repairing the product printed before Serial No. 710001, refer to page 12.



Power Output
50 watts* per channel minimum RMS, both channels driven, at 8 ohms from 20 Hz to 20,000 Hz with no more than 0.03% total harmonic distortion.

Both Channels Driven 50 + 50 watts 8 ohms at 1,000 Hz
70 + 70 watts 4 ohms at 1,000 Hz
230 watts 4 ohms

Dynamic Power Output 230 watts 4 ohms

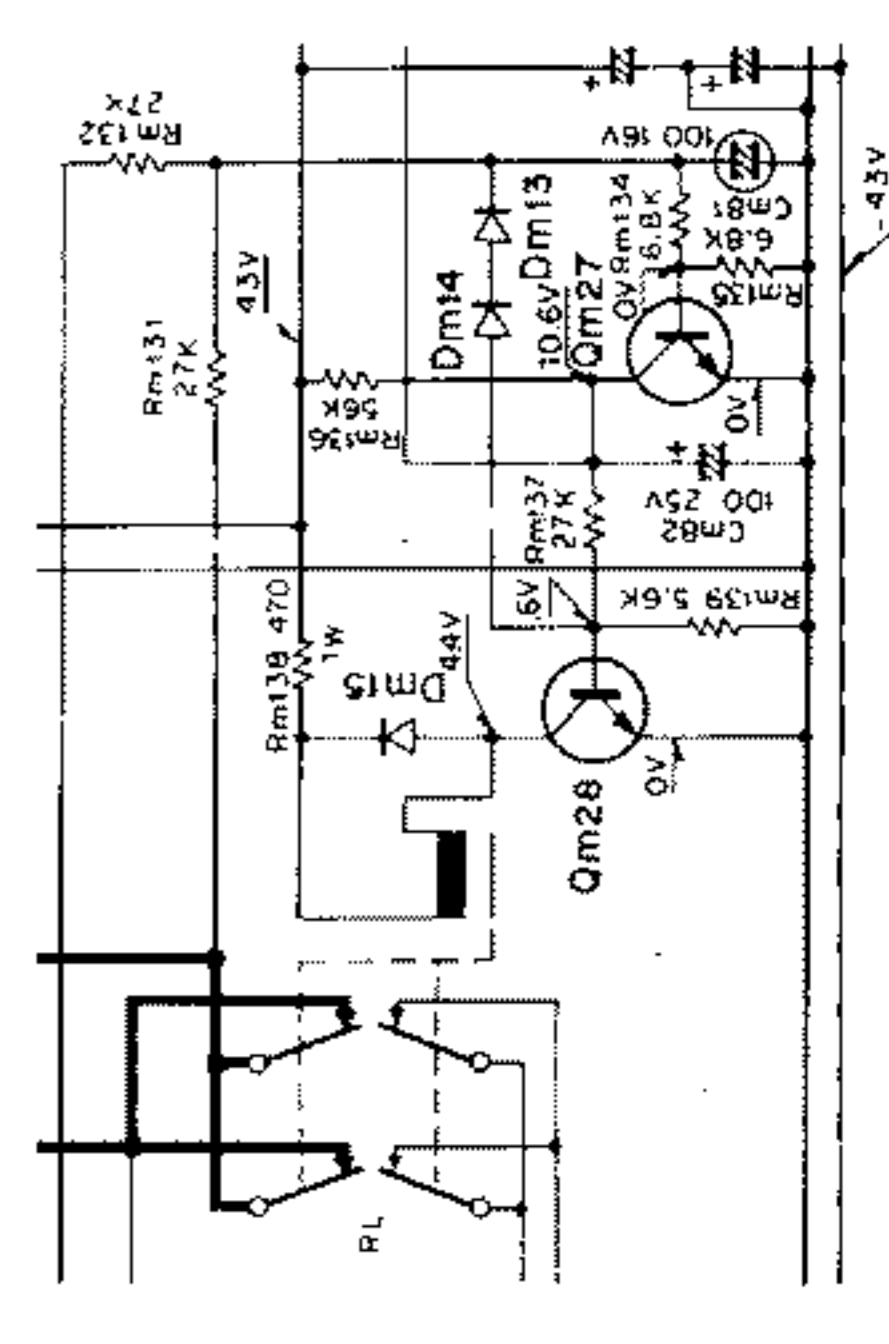
Total Harmonic Distortion (20 Hz to 20,000 Hz)
AUX input to SPEAKER Output 0.03% from 250 mW to 50W
PHONO input to SPEAKER Output 0.03% at rated power with VOLUME -20 dB
Intermodulation Distortion 0.02% at rated power into 8 ohms
(60 Hz : 7 kHz : 4 : 1) 0.02% at 1 watt into 8 ohms
Power Bandwidth 5 Hz to 30,000 Hz
Damping Factor 50 at 8 ohms
Speaker Impedance Accept 4 ohms to 16 ohms
Input Sensitivity/Impedance
Phono 2.5 mV/50 k ohms
Tuner 150 mV/50 k ohms
AUX 150 mV/50 k ohms
Tape A, B 150 mV/50 k ohms
Signal to Noise Ratio (HF, A)
86 dB for 2.5 mV input
92 dB for 5.0 mV input
98 dB for 10 mV input
106 dB for 150 mV input
106 dB for 150 mV input
Maximum Input Level for Output Level/Impedance
Tape REC (DIN) 150 mV/450 ohms
(Pin) 30 mV/80 k ohms
Frequency Response
Phono RIAA standard curve ± 0.3 dB
AUX and Tape 10 Hz to 50,000 Hz ± 0 dB, -1 dB
Tone Control
Bass ± 7.5 dB at 100 Hz
Treble ± 7.5 dB at 10,000 Hz
Loudness Control ± 8 dB at 100 Hz
Subsonic Filter 18 Hz, 6 dB/oct

GENERAL
Power Consumption 420 watts at full power
AC Outlet Switched 2, Unswitched 1
Dimensions Without Cabinet W 16-15/16" (430 mm)
H 5-7/8" (149 mm)
D 14-11/32" (364 mm)
With Cabinet W 17-29/32" (455 mm)
H 7-1/32" (179 mm)
D 15-3/16" (385 mm)
Weight Without Cabinet Net: 25.3 lbs. (11.5 kg)
Gross: 28.7 lbs. (13 kg)
With Cabinet Net: 32.0 lbs. (14.5 kg)
Gross: 35.5 lbs. (16 kg)

* Measured pursuant to Federal Trade Commission's Trade Regulation rule on Power Output: Claims for Amplifier in U.S.A.

Note: Kenwood follows a policy of continuous advancements in development. For this reason specifications may be changed without notice.

Unmodified Circuit



DC voltage measured with 20 k Ω /V VOM under no signal condition.